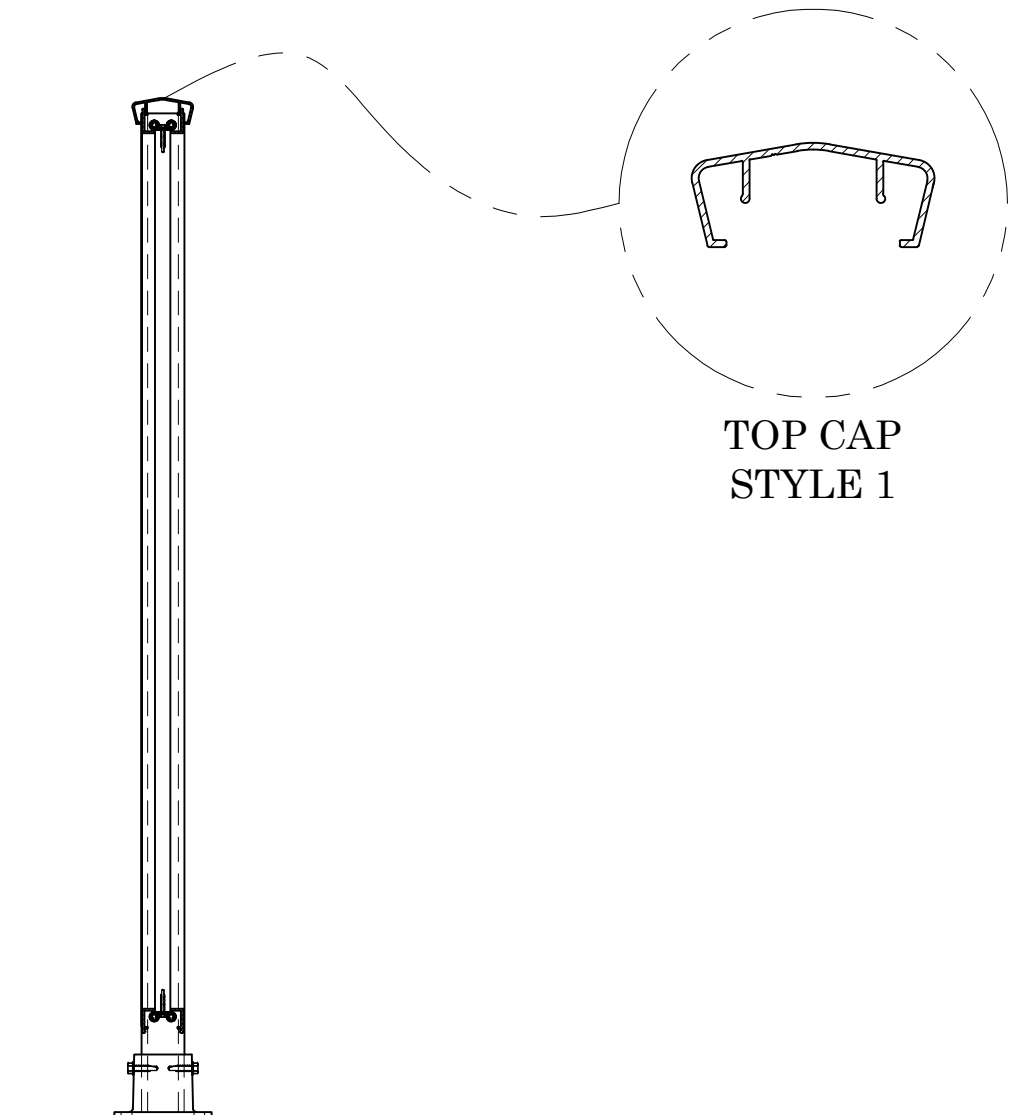


ELEVATION



CUT-SECTION

TOP CAP
STYLE 1

M200-1B MATERIALS	
TOP CAP	2½" x 1" TOP CAP (STYLE 1)
POST	1¾" SQUARE POST
CHANNEL	1⅝" x 1" CHANNEL
PICKET	⅝" x 1½" PICKET (STYLE B)

POST MOUNTING OPTIONS	
SURFACE MOUNT	
SIDE MOUNT	
CORE-IN	



8301 Strimple Rd.
Cleveland, Ohio 45002
p 513 353-1116
f 513 353-2116

M-SERIES ALUMINUM RAILING

DESIGN# M200-1B

DRAWN BY:	DTB	REVISIONS:
DATE:	03/24/2022	
SCALE:	NOT TO SCALE	
SHEET #:	M200-1B	