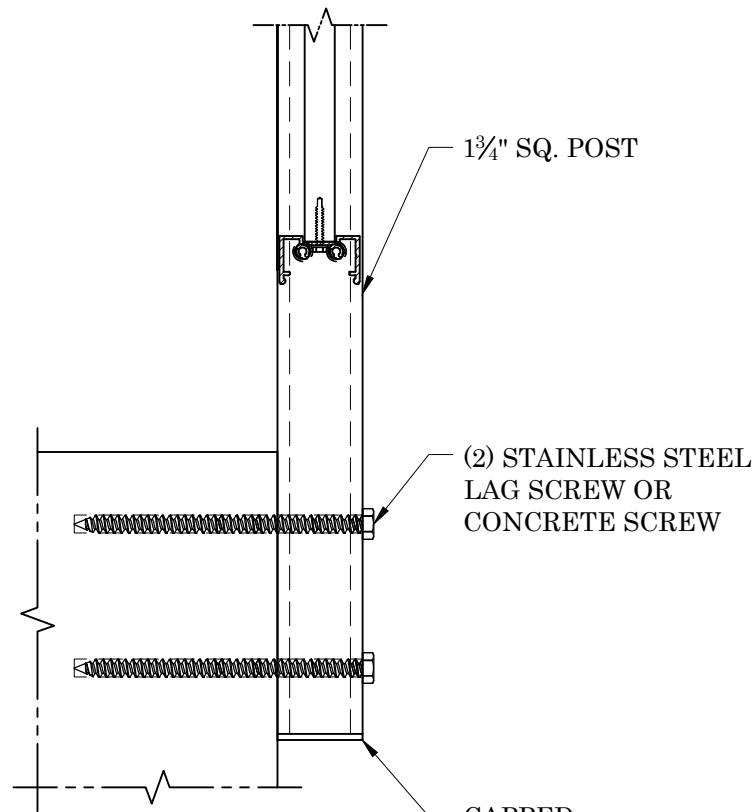
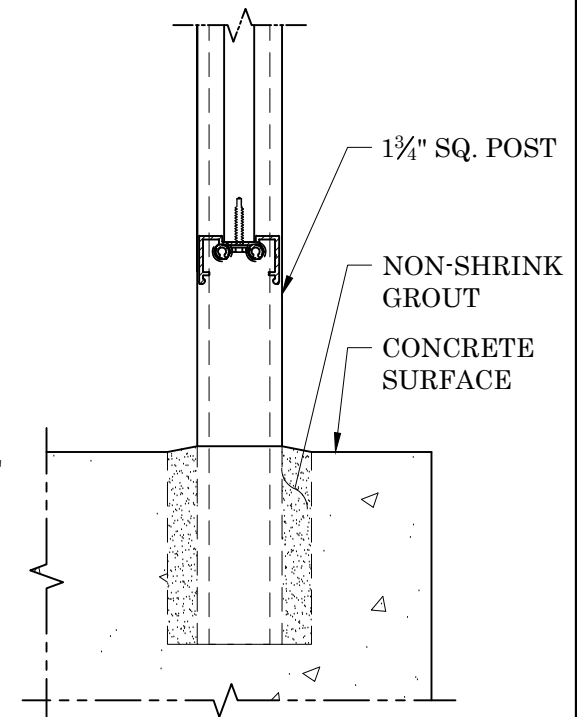


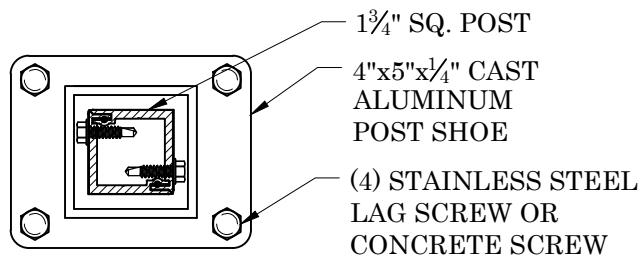
SURFACE MOUNT



SIDE MOUNT



CORE-IN



**SURFACE MOUNT
TOP VIEW**



8301 Strimple Rd.
Cleveland, Ohio 45002
p 513 353-1116
f 513 353-2116

M-SERIES ALUMINUM RAILING

POST MOUNTING OPTIONS

DRAWN BY:	DTB	REVISIONS:
DATE:	03/24/2022	
SCALE:	NOT TO SCALE	
SHEET #:	PMO	